



## Oval Wheel Flowmeter

for low and high viscous liquids



measuring  
•  
monitoring  
•  
analysing

DON



- Measuring range:  
0.5 ... 36 l/h und 150 ... 2500 l/min
- Viscosity range: up to 1000 cP  
(higher on request)
- Accuracy:  $\pm 0.2\%$  ...  $1\%$  of reading
- Material: aluminium or stainless steel
- $p_{\max}$ : 100 bar;  $t_{\max}$ : 150 °C
- Pulse output, LCD display, 4...20 mA,  
alarms, mechanical register



S4

KOBOLD companies worldwide:

ARGENTINA, AUSTRALIA, AUSTRIA, BELGIUM, BULGARIA, CANADA, CHILE, CHINA, COLOMBIA, CZECHIA, EGYPT, FRANCE, GERMANY, GREAT BRITAIN, HUNGARY, INDIA, INDONESIA, ITALY, MALAYSIA, MEXICO, NETHERLANDS, PERU, POLAND, REPUBLIC OF KOREA, ROMANIA, SINGAPORE, SPAIN, SWITZERLAND, TAIWAN, THAILAND, TUNISIA, TURKEY, USA, VIETNAM

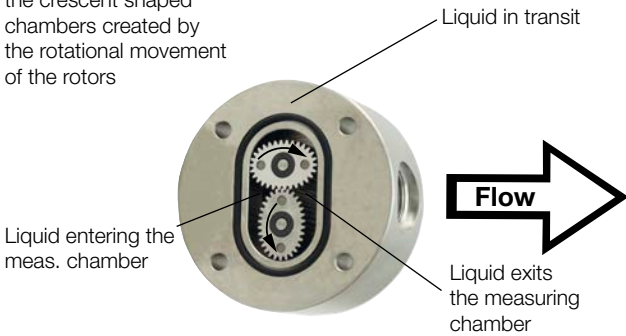
KOBOLD Messring GmbH  
Nordring 22-24  
D-65719 Hofheim/Ts.  
Head Office:  
+49(0)6192 299-0  
+49(0)6192 23398  
info.de@kobold.com  
www.kobold.com

**Principle of Operation**

Oval gear flowmeters are categorised as positive displacement flow technology. When liquid flows through this type of positive displacement flowmeter, two oval geared rotors measure a constant volume per rotation within a precisely machined measuring chamber. With each rotation, a constant volume of liquid is measured. The rotation of the oval gears is sensed via magnets embedded within the rotors. These magnets transmit a high resolution pulse output. The output signal can be process externally via a remote display controller or PLC or via a variety of output/display options available as accessories attached to the flowmeters.

**Operation:**

Liquid travels around the crescent shaped chambers created by the rotational movement of the rotors



The positive displacement flow technology allows for precise flow measurement of most clean liquids regardless of the media conductivity. Other liquid properties also have a minimal effect on the performance of this type of meter. Flow profile conditioning is not required as with alternative flow technology options making oval gear installations simple to install in tight spaces and at an economical price.

**Areas of Application**

For all viscous, non abrasive clean liquids like:

- Petroleum
- Oil
- Chemicals
- Grease
- Fuels
- Ink etc.
- Pastes

Stainless steel flowmeters are suited to most products and chemicals and aluminium meters are suitable for fuels, fuel oils & lubricating liquids.

**Technical Details**

**Material**

DON-1	
Body:	aluminium
Oval wheels:	PPS GF30/PTFE
Axes:	stainless steel 1.4404
DON-2	
Body:	stainless steel 1.4404 DON-x05 ... DON-x15 (body cover DON-205 st. steel 1.4429) stainless steel 1.4404/1.3955 DON-x20 ... DON-x60
Oval wheels:	stainless steel 1.4404 DON-x05 ... DON-x40 stainless steel 1.3955 DON-x45 ... DON-x60
Bearing:	carbon graphite
Axes:	stainless steel 1.4404
DON-8	
Body:	stainless steel 1.4404 DON-x05 ... DON-x15 (body cover DON-805 st. steel 1.4429) stainl. steel 1.4404/1.3955 DON-x20 ... DON-x60
Oval wheels:	PPS GF30/PTFE
Axes:	stainless steel 1.4404
O-rings:	medium temperature FKM: -20 ... +150 °C NBR: -20 ... +100 °C FEP-O-seal: -15 ... +130 °C (FEP-O-seal, FEP encased, with solid core EPDM)
Cover for cable connection:	polyamide PA6 GF35 UL94 HB/VO stainless steel 1.4404 (optional)



**Material screws**

For aluminium housing: stainless steel (standard) steel, coated with GEOMET® 321 (DON-A25)

For stainless steel housing: stainless steel (standard) steel, coated with GEOMET® 321 (optional) for higher pressure rating (see order details)

Accuracy (under reference conditions\*): ± 1 % of reading (DON-x05...DON-x15)

SS-rotors: ± 0.5 % of reading (DON-x20...DON-x60) ± 0.2 % of reading (DON-x20...DON-x60; with optional Z3/E3-electronics based on linearisation function)

PPS-rotors: ± 1 % of reading (DON-x20...DON-x60) ± 0.5 % of reading (DON-x20...DON-x60; with optional Z3/E3-electronics based on linearisation function) ± 1 % of reading (option M) (better accuracy for higher viscosities on request)

Additional max. inaccuracy for analogue outputs 4-20 mA: +/-0.15% full scale

Repeatability: typ. ± 0.03 %

Protection class: IP 66/67 (IP 65 for M4)

Medium temp.: -20 °C... +80 °C for options Lx, Zx, M4, DON-1/DON-8 and -20 °C... +120 °C for DON-2 with pulse output and options Zx with cooling fins (+150 °C with option T0) for models with PPS-rotors, max. temp. is limited to +80 °C

Ambient temp.: -20 °C... +80 °C, option M4 0 °C... +60 °C

Cable entry: M20x1.5, 1/2" NPT adapter

ATEX-approval (option E1/E2/E3/E4/E5): II 2G Ex ia IIC T4 Gb (-20 °C ≤ Ta ≤ +60 °C)

(option HE, DE, BE, KE, GE, LE, RE): II 2G Ex db IIC T4/T6 Gb I M2 Ex db I Mb

IECEx-approval (option E1/E2/E3/E4/E5): Ex ia IIC T4 Gb

(option HE, DE, BE, KE, GE, LE, RE): Ex db IIC, Ex db I Mb

\* Reference conditions: x05 ... x20 (mineral oil 10 cSt, 20 °C, 5 bar); x25 ... x60 (mineral oil 3 cSt, 20 °C, 1 bar). Accuracy data is valid for given viscosities and higher.

**Maximum Pressure** (threaded version)

Model	Maximum pressure (bar)			
	DON-1	DON-2/8	DON-1.. (Option-M4)	DON-2/8 (Option-M4)
DON-x05	64	100	-	-
DON-x06			-	-
DON-x10			-	-
DON-x15		100	-	-
DON-x20	40	70*	40	40
DON-x25		60*		
DON-x30		40	50	
DON-x35	16	16	16	16
DON-x40				
DON-x45				
DON-x50				
DON-x55				
DON-x60				

With flanges, maximum pressure rating as above or as per flange rating, whichever is lower

\* Max. pressure rating of 100 bar possible with steel screws (see order details)

**Noise Level (in dB) at Full Scale**

Size	PPS-Oval Wheels	Stainless Steel-Oval Wheels
x25	83	91
x30	84	93,1
x35	83,5	95
x40	85,4	96
x45	87,5	98
x50	86,1	99,4
x55	86,1	98,1
x60	85	99

**Recommended Filter** (for example model MFR-DO...)

DON-x05 ... DON-x15 < 75 µm micron (200 mesh)  
 DON-x20 ... DON-x35 < 150 µm micron (100 mesh)  
 DON-x40 ... DON-x60 < 350 µm micron (45 mesh)



## Pulse Output

### Reed switch pulse output (...R0/RE)

The reed switch output is a two wire normally open SPST voltage free contact ideal for installations without power or for use in hazardous area locations when Intrinsically Safe (I.S.) philosophy is adopted.

Note: when using the reed switch output the liquid temperature must not change at a rate greater than 10°C per minute.

Average switching life of reed contact (MTTF):

max. Load (100 V/10 mA)  $5 \times 10^5$  switching cycles

min. Load (<5 V/10 mA)  $5 \times 10^8$  switching cycles

**Power supply:** max. 30 V<sub>DC</sub>, max. 200 mA

### Hall sensor pulse output (...H0/HE)

In the electronics options H0/HE, a Hall Effect sensor is combined with an active push-pull output. The electrical connection is provided in 3-wire version. The output is actively switched either to +Vs or to ground. The external supply voltage is 8...30 V<sub>DC</sub>. No additional external circuit is required (e.g pull up resistor). The high signal is approximately equal to the supply voltage +Vs and the low signal is approximately 0 V. The electrical load may optionally be connected to the supply voltage or to GND.

Maximum output current (current source or sink): 100 mA (short circuit protected).

In addition to Hall sensor, this option is equipped with a Reed switch which works the same as Option R0/RE.

### Hall sensor pulse output (...HU)

Like option H0, however with following deviations:

- (i) no push-pull output - only NPN output
- (ii) supply voltage 5 - 30 V<sub>DC</sub>

### Hall sensor pulse output (...B0/BE)

Like options H0/HE, however with bipolar sensors and alternating polarised magnets. This option is used for pulsating flows, but it is not equipped with Reed switch and has halved K-factor as compared to H0/HE.

### High-resolution Hall sensor pulse output, (...G0/GE, ...K0/KE)

Like options H0/HE; model DON-x05...DON-x10 can be supplied with four times the count of pulses per liter (...G0/GE) and models DON-x05...x20 with double amount of pulses (K0/KE) (see table «Output Pulse Resolution» on the following pages).

### Quadrature hall effect pulse output (...D0/DE)

DON instrument with option D0/DE is provided with two independent Hall sensors. The two hall effect sensors are arranged to give separate outputs out of phase with one another.

The QUAD output is mostly suitable for custody transfer with redundant signal or for detecting bidirectional flows (detection of flow direction).

Maximum output current per channel (current source or sink): 100 mA (short circuit protected).

## Option L0/LE

The options L0 and LE (Ex) are available with loop powered 4-20 mA output. The loop is supplied with an external power supply 16...32 V<sub>DC</sub>. The maximum resistance of the series loads (PLC analogue input/display electronics) depends on the magnitude of the supply voltage and can be calculated as:

$$\text{Max. load [Ohm]} = (+Vs - 9 V_{DC}) / 0.02 \text{ A } [\Omega]$$

$$\text{Example: } +Vs = 32 V_{DC} \Rightarrow \text{max. load} = 1150 \Omega$$

$$+Vs = 16 V_{DC} \Rightarrow \text{max. load} = 350 \Omega$$

The load can be inserted at any point in the current loop observing correct polarity.

## Mechanical totaliser (...M4)

The flowmeters type DON-x20... up to DON-x60... are available with a 4-digit resettable mechanical totaliser and indication of accumulated total value. The motion of the rotors is transmitted to the mechanical register totaliser via an interfacing reduction gear train and dynamic seal assembly.

Option M4 is available for volume units litre and gallon.

Body material: enamelled die-cast aluminium, powder-coated

Protection: IP65

Ambient temp.: 0...+60°C

Medium temp.: -20...+80°C



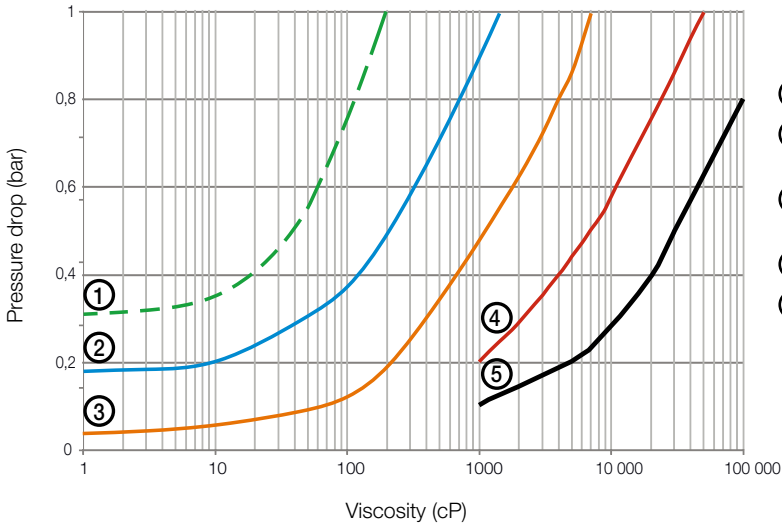
**Electronic with LCD Display**

Model	..Z1	..Z2	..Z3	..ZE	..ZB	..E1	..E2	..E3	..E4	..E5
Function	dual totaliser	dosing unit	rate/counter			dual totaliser	dosing unit	rate/counter	rate/counter	rate/counter
<b>Power supply</b>										
External (also for backlighting)	5 - 28 V <sub>DC</sub>	12 - 28 V <sub>DC</sub>	5 - 28 V <sub>DC</sub>	9 - 28 V <sub>DC</sub>	-	U <sub>i</sub> = 28 V I <sub>i</sub> = 100 mA P <sub>i</sub> = 0.7 W				
Battery operation (output deactivated) <sup>2)</sup>	yes	no	yes	yes	yes	yes	no	yes	no	no
Battery included in shipment <sup>3)</sup>	yes	-	yes	no	yes	yes	-	yes	-	-
<b>LCD display</b>										
Selectable units	yes	yes	yes	yes	yes	yes	yes	yes	yes	yes
Decimal point	yes	yes	yes	yes	yes	yes	yes	yes	yes	yes
Accumulative total	yes	yes	yes	yes	yes	yes	yes	yes	yes	yes
Resettable total	yes	yes	yes	yes	yes	yes	yes	yes	yes	yes
Linearisation	yes	no	yes	yes	yes	yes	no	yes	yes	yes
Rate display	yes	yes	yes	yes	yes	yes	yes	yes	yes	yes
Backlighting	yes	yes	yes	yes	no	no	no	no	no	no
<b>Input</b>										
Sensors	Hall sensor/ reed switch					reed switch				
<b>Outputs</b>										
4-20 mA	no	no	yes	no	no	no	no	yes	yes (HART)	yes
Flow rate alarm min./max.	no	no	NPN/PNP/PP	no	no	no	no	no	no	with opto-coupler board
Batch end & control	no	yes	no	no	no	no	yes	no	no	no
Pulse outputs	no	no	PP	PP	no	no	no	no	no	with opto-coupler board
2 x SPDT relays <sup>1)</sup>	no	yes	option	no	no	no	with opto-coupler board	no	no	
<b>Installation</b>										
IP65	yes	yes	yes	IP66/67	IP66/67	yes	yes	yes	yes	yes
Cable entries	M20x1.5 / ½" NPT									
Medium temperature (Option: max. +120 °C)	-20...+80 °C									
Ambient temperature	-20 ... +80 °C					-20 ... +60 °C				
Housing material	PA6 GF35 UL94 HB/VO/PC UL94 V-2									
ATEX approval	no					yes				

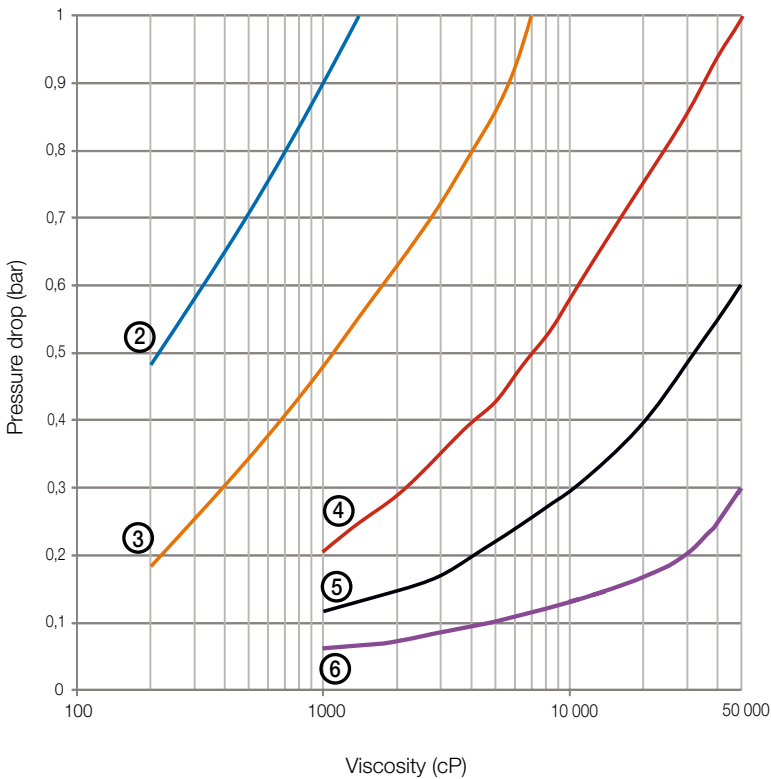
<sup>1)</sup> Replaces solid state outputs, for details see data sheet ZOK  
<sup>2)</sup> Battery operation only applicable with reed switch sensor »Rx«  
<sup>3)</sup> Options Z6, Z7, Z8 and Z9 are shipped without batteries



**DON Pressure Drop Curves versus Viscosity**



- ① Standard rotors 100 % of full scale
- ② Standard rotors 50 % of full scale  
special cut rotors 100 % of full scale
- ③ Standard rotors 25 % of full scale  
special cut rotors 50 % of full scale
- ④ Special rotors 25 % of full scale
- ⑤ Special rotors 10 % of full scale



- ② Standard rotors 50 % of full scale  
special cut rotors 100 % of full scale
- ③ Standard rotors 25 % of full scale  
special cut rotors 50 % of full scale
- ④ Special cut rotors 25 % of full scale
- ⑤ Special cut rotors 10 % of full scale
- ⑥ Special cut rotors 5 % of full scale

**Pressure drop limit versus flowrate**

The curves above represent the pressure drop for standard cut oval rotors. Special cut rotors option «Y» have alternate tooth relieve which effectively reduces the pressure drop by

50%. When sizing a meter, be sure your selection falls **below the 1 bar maximum allowable pressure drop line on the graph.**



**Maximum Flowrate Multiplier** (for higher viscosities)

Viscosities (cP)	Standard rotor	Special cut rotor
≤ 1000	1	1
≤ 2000	0.5	1
≤ 4000	0.42	0.84
≤ 6000	0.33	0.66
≤ 8000	0.25	0.5
≤ 30000	0.15	0.3
≤ 60000	0.12	0.25
≤ 150000	0.1	0.2
≤ 250000	0.05	0.1
≤ 1000000	0.025	0.05

**Special cut rotors for higher viscosities**

For viscosity > 1000 cP, special cut rotors option «Y» should be used to reduce pressure drop. This applies to DON-x15 and larger sizes. For higher viscosities, the flowmeter max. flowrate is de-rated according to the attached chart.

Example: DON-x25 measuring oil at 8000 cP, max. flow 150 l/min x 0.5 = 75 l/min new maximum flow rate.

**Output Pulse Resolution**

Model	Measuring range [l/min]	Pulse/litre					
		Reed switch Rx	Hall sensor Hx	Hall sensor Bx	Quadr. hall sensor Dx	Hall sensor, high-resolution Gx	Hall sensor, high-resolution Kx
DON-x05	0.5 - 36 l/h	2670	2670	-	2670	11320	5340
DON-x06	2 - 36 l/h	2670	2670	-	-	-	-
DON-x10	2 - 100 l/h	1062	1062	-	1062	4248	2124
DON-x15	15 - 550 l/h	351	702	351	702	-	1404
DON-x20	1 - 40	82	163	82	163	-	320
DON-x25	10 - 150	26	104	52	52	-	-
DON-x30	15 - 250	14	55	27	27	-	-
DON-x35	30 - 450	6.4	25.5	13.5	13.5	-	-
DON-x40	50 - 580	4.9	19.6	9.8	9.8	-	-
DON-x45	35 - 750	2.57	10.3	5.15	5.15	-	-
DON-x50	50 - 1000	1.5	5.9	3	3	-	-
DON-x55	75 - 1500	1.05	4.2	2.1	2.1	-	-
DON-x60	150 - 2500	0.56	2.3	1.15	1.15	-	-

The values in above mentioned table are only approximate guidelines. The actual value for pulse rate can deviate from the values in this table and is mentioned in calibration certificate delivered with the flowmeter.



Oval Wheel Flowmeter Model DON

Order Details (Example: DON-105H R1 1 L0 M 0)

Measuring range	Housing material <sup>4)</sup>			Connection	O-Ring Material	Electronics	Cable entry	Option
	Aluminium with PPS Rotor	Stainless steel	St. steel with PPS Rotor					
0.5-36 l/h	DON-105H	DON-205H	DON-805H	R1 = G 1/8 N1 = 1/8" NPT	1 = FKM 3 = FEP-O-ring 4 = NBR	<b>R0</b> = Reed switch pulse output <b>RE</b> = Reed switch pulse output ATEX (Exd) <b>H0</b> = Hall sensor (Push-Pull)/Reed switch, pulse output <b>HE</b> = H0 + ATEX <b>HU</b> = NPN pulse output (Hall/Reed), supply 5-30 V <sub>DC</sub> <b>B0</b> <sup>3)</sup> = for pulsating flow <b>BE</b> <sup>3)</sup> = B0 + ATEX (Exd) <b>T0</b> <sup>8)</sup> = Hall sensor (Push-Pull), +150°C, pulse output <b>K0</b> <sup>9)</sup> = high resolution (x2) Hall sensor (Push-Pull) <b>KE</b> <sup>9)</sup> = K0 + ATEX (Exd) <b>G0</b> <sup>2)</sup> = high resolution (x4) Hall sensor (Push-Pull) <b>GE</b> <sup>2)</sup> = G0 + ATEX (Exd) <b>D0</b> <sup>11)</sup> = quad. Hall sensor 2 phased outputs (Push-Pull) <b>DE</b> <sup>11)</sup> = as D0 + ATEX (Exd) <b>L0</b> = 4...20 mA loop powered analogue output <b>LE</b> = L0 + ATEX (Exd) <b>Z1</b> = dual LCD totaliser (ZOK-Z1) <b>Z2</b> = dosing unit LCD (ZOK-Z2) <b>Z3</b> = LCD totaliser, rate, outputs: 4-20 mA, alarm, pulse (ZOK-Z3) (impulses not for battery supply) <b>Z6</b> = Z1 + B0 <b>Z7</b> = Z3 + B0 <b>Z8</b> = Z1 + D0 <b>Z9</b> = Z3 + D0 <b>ZE</b> = LCD counter/flow (ZOE with external supply/with battery) <b>ZB</b> <sup>12)</sup> = LCD counter/flow (ZOE without external supply/with battery) <b>E1</b> <sup>12)</sup> = Z1 + ATEX/IECEX (Exi) <b>E2</b> <sup>12)</sup> = Z2 + ATEX/IECEX (Exi) <b>E3</b> <sup>12)</sup> = Z3 + ATEX/IECEX (Exi) without switching or pulse outputs <b>E4</b> <sup>12)</sup> = E3 + HART <b>E5</b> <sup>12)</sup> = E3 + pulse or switching outputs + 4-20 mA <b>M4</b> <sup>6)</sup> = mech. totaliser 4-digit	<b>M</b> = M20 <b>N</b> = 1/2" NPT <b>S</b> <sup>7)</sup> = M20 with cooling fin <b>T</b> <sup>7)</sup> = 1/2" NPT with cooling fin	<b>O</b> = without <b>Y</b> = special option (specify in clear text) e.g. <b>Y</b> = check valve (from DON-x30) <b>Y</b> <sup>3)</sup> = special cut rotors for higher viscosities
2-36 l/h		DON-206H	DON-806H	R1 = G 1/8 N1 = 1/8" NPT				
2-100 l/h	DON-110H	DON-210H	DON-810H	R2 = G 1/4 N2 = 1/4" NPT				
15-550 l/h	DON-115H	DON-215H	DON-815H	R3 = G 3/8 N3 = 3/8" NPT				
1-40	DON-120H	DON-220H	DON-820H	R4 = G 1/2 N4 = 1/2" NPT H4 <sup>5)</sup> = G 1/2 (100 bar) P4 <sup>5)</sup> = 1/2" NPT (100 bar)				
10-150	DON-125H	DON-225H	DON-825H	R6 = G 1 N6 = 1" NPT F6 = DIN flange, PN16/40 (DN25) A6 = ANSI flange, 150 lbs (1") B6 = ANSI flange, 300 lbs (1") H6 <sup>5)</sup> = G 1 (100 bar) P6 <sup>5)</sup> = 1" NPT (100 bar)				
15-250	DON-130H	DON-230H	DON-830H	R8 = G 1 1/2 N8 = 1 1/2" NPT F8 = DIN flange, PN16/40 (DN40) A8 = ANSI flange, 150 lbs (1 1/2") B8 = ANSI flange, 300 lbs (1 1/2")				
30-450	DON-135H	DON-235H	DON-835H	R9 = G 2 N9 = 2" NPT F9 = DIN flange, PN16 (DN50) C9 <sup>8)</sup> = DIN flange, PN40 (DN50)				
50-580	DON-140H	DON-240H	DON-840H	A9 = ANSI flange, 150 lbs (2") B9 <sup>1)</sup> = ANSI flange, 300 lbs (2")				
35-750	DON-145H	DON-245H	DON-845H	RB = G 3 NB = 3" NPT FB = DIN flange, PN16 (DN80)				
50-1000	DON-150H	DON-250H	DON-850H	AB = ANSI flange, 150 lbs (3")				
75-1500	DON-155H	DON-255H	DON-855H	RC = G 4 NC = 4" NPT FC = DIN flange, PN16 (DN100) AC = ANSI flange, 150 lbs (4")				
150-2500 <sup>10)</sup>	DON-160H	DON-260H	DON-860H					

<sup>1)</sup> Only for DON-x35 <sup>2)</sup> Only for DON-x05 and DON-x10 <sup>3)</sup> Not for DON-x05...DON-x10 <sup>4)</sup> Replace 'H' with 'G' to order GPH (GPM) <sup>5)</sup> With steel screws, only for DON-2... and DON-8... <sup>6)</sup> Only for DON-x20...DON-x60. Please specify the flow direction in clear text while ordering (possible flow directions «bottom to top» or «left to right» or «right to left» only). Standard flow direction is from bottom to top <sup>7)</sup> Only for electronic options -Zx/-Ex, not for DON-1... and DON-8... <sup>8)</sup> Only for DON-2... <sup>9)</sup> Only for DON-x05, -x10, -x15, -x20, without Reed switch <sup>10)</sup> Calibrated up to 2000 l/min. Higher flow rate calibration on request <sup>11)</sup> Not for DON-x06 <sup>12)</sup> Without backlighting



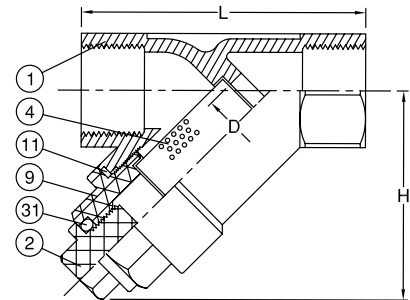
**Technical Details MFR-DO (version stainless steel)**

Design: two-part screwed body  
 Connections: female thread G ¼ ... G 3  
 DIN ISO 228-1  
 Nominal pressure: PN 40  
 Temperature range: -20 °C ... +180 °C  
 Mesh size: 200 mesh/75 µm for G ¼, G ¾  
 100 mesh/150 µm for G ½, G 1, G 1½  
 40 mesh/400 µm for G 2, G 3  
 Mounting position: cover toward bottom,  
 note specified direction of flow

**Materials**

Body (1): stainless steel 1.4408, EN1503-1  
 Plug (2): stainless steel 1.4408, EN1503-1  
 Screen (4): stainless steel 316  
 Bonnet (9): stainless steel 1.4408, EN1503-1  
 Body seal (11): PTFE  
 O-ring (31): FPM

**MFR-DO**



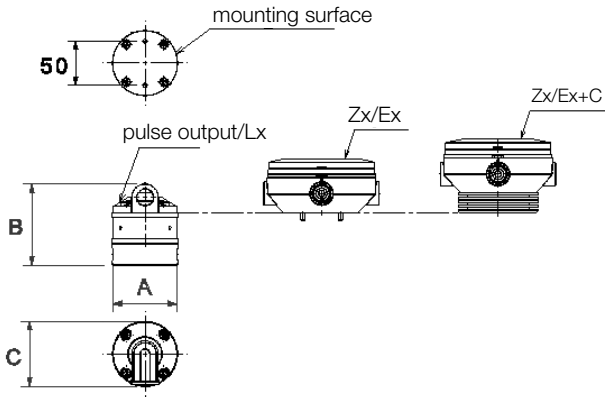
**Dimensions and Order Details**

**MFR-DO stainless steel version**  
 (example: MFR-DOR15)

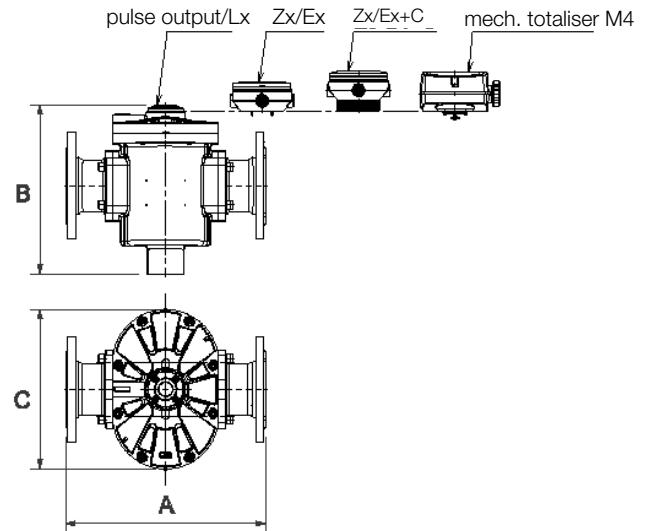
Order no.	Size		L	H	D
			[mm]	[mm]	[mm]
MFR-DOR08	DN08	G ¼	65.0	51.0	10.0
MFR-DOR10	DN10	G ¾	65.0	51.0	12.0
MFR-DOR15	DN15	G ½	65.0	51.0	15.0
MFR-DOR25	DN25	G 1	90.0	72.0	25.0
MFR-DOR40	DN40	G 1½	120.0	87.0	40.0
MFR-DOR50	DN50	G 2	140.0	103.0	50.0
MFR-DOR80	DN80	G 3	200.0	143.0	80.0

**Dimensions DON-1(2/8)...**

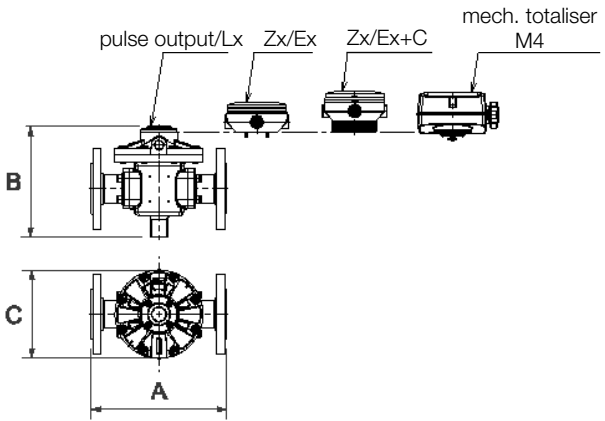
**DON-x05 .... DON-x15**



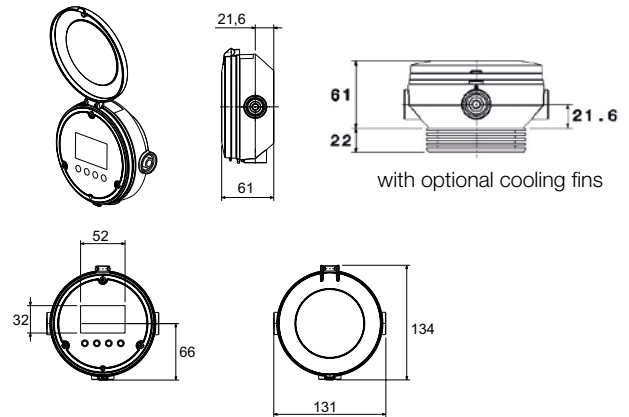
**DON-x45 .... DON-x60**



**DON-x20 .... DON-x40**



**Electronic with LCD display / Zx/Ex**



**Dimensions DON-1(2/8).... (± 2 mm)**

Model	A [mm]		B [mm]			C [mm]		
	Thread connection	Flange connection	Pulse output/Lx	Zx/Ex	Mechanical totaliser M4	Pulse output/Lx	Zx/Ex	Mechanical totaliser M4
DON-x05	68	-	92	131	-	72	134	-
DON-x06	(68)	-	(92)	(131)	-	(72)	(134)	-
DON-x10	68	-	92	131	-	72	134	-
DON-x15	68	-	99	138	-	72	134	-
DON-x20	110	-	105 (101)	134 (130)	182 (178)	112	134	165
DON-x25	176	237	136	165	194	120	134	170
DON-x30	188	252	166	195	223	163	163	200
DON-x35	212	277	172	201	244	180	180	200
DON-x40	212	277	246	275	299	180	180	200
DON-x45	266	354	232	261	284	238	238	239
DON-x50	294	382	229	258	302	290	290	290
DON-x55	294	388	274	303	347	290	290	290
DON-x60	320	414	351	380	424	331	331	331

**Note:** Dimensions for DON-2/8... are specified in ( ) only when they are different from DON-1...