



## Pressure Gauge with Built-In Pressure Transmitter



measuring  
•  
monitoring  
•  
analysing

MAN-V



- Housing: 100 mm
- Connection: G 1/2, 1/2" NPT
- Material: stainless steel
- Measuring ranges:  
-1 ... 0 bar ... 0 ... +600 bar
- Analogue output: 4 ... 20 mA
- Options:  
Liquid filling  
Transmitter
- Applications:  
Chemical industry  
Food industry  
Mechanical engineering  
Plant construction
- Complying with standards:  
EMC 2014/30/EU  
PED 2014/68/EU  
RoHS 2011/65/EU



P1

KOBOLD companies worldwide:

AUSTRALIA, AUSTRIA, BELGIUM, BULGARIA, CANADA, CHINA, CZECHIA, FRANCE, GERMANY, GREAT BRITAIN, HUNGARY, INDIA, INDONESIA, ITALY, MALAYSIA, MEXICO, NETHERLANDS, PERU, POLAND, REPUBLIC OF KOREA, SPAIN, SWITZERLAND, THAILAND, TUNISIA, TURKEY, USA, VIETNAM

KOBOLD Messring GmbH  
Nordring 22-24  
D-65719 Hofheim/Ts.  
Head Office:  
+49(0)6192 299-0  
+49(0)6192 23398  
info.de@kobold.com  
www.kobold.com



### Application

The KOBOLD all stainless steel pressure transducers are suitable for harsh conditions resulting from high demands on pressure measurement in production plants of the chemical or other comparable industries. The use of high quality stainless steel for both measuring system and housing guarantees resistance against aggressive media and environment. They can be used for liquid or gaseous substances which do not crystallize and which are not highly viscous.

All the pressure gauges comply with general international guidelines and take account of standard as well as application-specific requirements.

### Housing, installation and connection

The stainless steel housing has a diameter of 100 mm. The gauges are most often installed straight into the customer's screw necks. For pressure gauges to be built into or onto control panels there are also variations with a mounting strip front or back. Gauges are supplied with a G $\frac{1}{2}$  connecting thread as standard.

Diaphragm seals can be mounted for viscous, crystallising, aggressive materials or higher temperature materials to prevent the material being measured from penetrating into the measuring system. Other types of connection are available on request.

### Technical Details

Ranges:	from 0 ... 15 to 0 ... 10 000 psi relative, (from 0 ... 1 to 0 ... 600 bar or equivalent units) <sup>1)</sup>
Accuracy (% FSV):	local readout, $\leq 0,5$ ; transmitter, $\leq 0,25$ typical; $\leq 0,5$ max.
Working pressure:	100 % of FSV for static pressure; 90 % of FSV for pulsating pressure
Over pressure limit:	30 % of FSV
Process fluid temperature:	-13 ... +212 °F (-25 ... +100 °C); 14 ... +149 °F (-10 ... +65 °C) when filled
Output signals:	for pressure ranges $\leq 8700$ psi (600 bar): 4 ... 20 mA, 0 ... 5 V <sub>DC</sub> , 0 ... 10 V <sub>DC</sub>
Calibration:	limit-point as per DIN 16086
Zero calibration:	$\pm 10$ % span typical
Span calibration:	$\pm 10$ % span typical
Compensated temperature range:	14 ... +176 °F; (-10 ... +80 °C)
Thermal drift:	$\leq 0,011$ % span / °F
Annual drift:	$\leq 0,2$ % of span
Supply and max load:	see chapter "Electrical Connection"
Response time (10 ... 90 %):	<3 ms

<sup>1)</sup> Ranges > 600 bar available upon request.

### MAN-VF2 - Standard Model

Safety designation:	S1 as per EN 837-2
Electric connection:	junction box as per VDE with exit for cables $\varnothing 0,27 \dots 0,51$ " ( $\varnothing 7 \dots 13$ mm)
Protection degree:	IP55 as per EN 60529/IEC 529
Socket material:	AISI 316L st. st.
Bourdon tube:	AISI 316L st.st. seamless tube
Case:	stainless steel
Ring:	stainless steel, bayonet lock
Window:	tempered glass
Movement:	stainless steel with internal limit stops for minimum and maximum pressure
Dial:	aluminium, white with black markings
Pointer:	adjustable, aluminium, black
Ambient temperature:	-13 ... +149 °F (-25 ... +65 °C)
Special versions:	high overpressure: 200 % of FSV for pressure ranges $\leq 3000$ psi (250 bar), accuracy of local readout $\leq 1,0$ % of FSV

### MAN-VF7 - Filled Model

Filling liquid:	dielectric oil
Protection degree:	IP67 as per EN 60529/IEC 529
Ambient temperature:	14 ... +149 °F (-10 ... +65 °C)
Other features:	as Standard Model



**Order Details** (Example: MAN-VF261 B7VDT)

Model	Version	Thread connection	Output	Measuring range (bar)	Gasket	Options
MAN-VF...	2 = standard 7 = filled	6 = G½ male bottom 8 = G½ male back eccentric S = ½" NPT male bottom U = ½" NPT male back eccentric X = special connection (as per description)	1 = 4 ... 20 mA 4 = 0 ... 5 V <sub>DC</sub> 5 = 0 ... 10 V <sub>DC</sub>	AD = -1 ... 0 A0 = -1 ... 0,6 A1 = -1 ... 1,5 A2 = -1 ... 3 A3 = -1 ... 5 A4 = -1 ... 9 A5 = -1 ... 15 A6 = -1 ... 24 B2 = 0 ... 1 B3 = 0 ... 1,6 B4 = 0 ... 2,5 B5 = 0 ... 4 B6 = 0 ... 6 B7 = 0 ... 10 B8 = 0 ... 16 B9 = 0 ... 25 B0 = 0 ... 40 C1 = 0 ... 60 C2 = 0 ... 100 C3 = 0 ... 160 C4 = 0 ... 250 C5 = 0 ... 400 C6 = 0 ... 600 XX = special scale (ask factory)	V = FKM E = EPDM N = NBR C = Chloroprene (CR) Gasket	DT = Dial Tagging SN = Serial No. on dial WM <sup>1)</sup> = Wall mounting with back flange FP <sup>2)</sup> = Flush Panel w. front flange SG = Shatterproof safety glass CR = Calibration report SR <sup>3)</sup> = Oxygen service YY = special (please specify in writing)

<sup>1)</sup> only for thread connection code "6" and "S"

<sup>2)</sup> only for thread connection code "8" and "U"

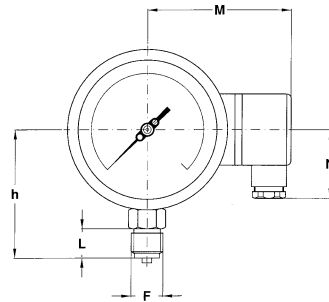
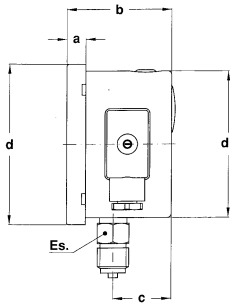
<sup>3)</sup> only for model MAN-VF26...



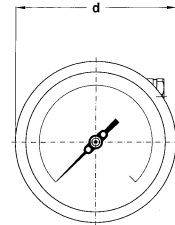
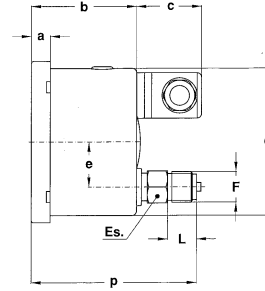
Pressure Gauge with Built-In Pressure Transmitter Model MAN-V

Dimensions [mm]

6 - Lower connection



8 - Back connection eccentric



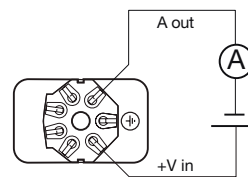
Connection	F	a	b	c	d	d1	e	h	p	ES	L	N	M	Weight <sup>1)</sup>
Lower	G 1/2 A 1/2-14 NPT	0.51" (13)	2.85" (72.3)	1.57" (40.1)	4.35" (110.6)	3.97" (101)	-	3.48" (88.5)	4.47" (113.7)	0.86" (22)	0.78" (20)	1.35" (34.5)	3.55" (90.4)	1.67 lbs (0.76 kg)
Back	G 1/2 A 1/2-14 NPT	0.51" (13)	2.85" (72.3)	1.33" (34)	4.35" (110.6)	3.97" (101)	1.22" (31)	3.28" (83.5)	4.20" (106.7)	0.86" (22)	0.51" (13)	-	-	1.69 lbs (0.77 kg)

<sup>1)</sup> add 0.85 lbs (0.339 kg), when filled

Electrical connection

Output signal	4...20 mA 1	0...5 V <sub>DC</sub> 4	0...10 V <sub>DC</sub> 5
N. wires	2	3	3
Load (Ohm)	$R_L \leq (V_{in}-10)/0.02$	$R_L \geq 5 \text{ k}\Omega$	$R_L \geq 10 \text{ k}\Omega$
Supply: +V <sub>in</sub>	10...30	8...30	14...30
Ground	(pls. refer to Installation Manual)		

4...20 mA



0...5 V<sub>DC</sub>  
0...10 V<sub>DC</sub>

