

Magnetic-Inductive Flow Velocity Sensor

PIT UMF2

Operating Manual



Please read the instructions carefully and store them in a safe space

Contents

INTRODUCTION.....	4
I. Shipping and storage; product inspection.....	4
II. Warranty.....	4
III. Maintenance, Repair and Hazardous substances.....	4
IV. Disposal	4
V. Supplementary operating instructions	4
1 STEPS PRIOR TO OPERATION	5
2 IDENTIFICATION.....	6
3 APPLICATION.....	7
4 MODE OF OPERATION AND SYSTEM DESIGN.....	8
4.1 Mode of operation	8
4.2 System design	9
4.2.1 Transmitter mounted on the sensor.....	9
4.2.2 Remote installation of the transmitter	10
4.2.3 Sensor versions	10
5 CHARACTERISTICS	11
6 CONDITIONS OF USE.....	12
6.1 Installation conditions.....	12
6.1.1 Immersion depth of PIT-*** in the pipe	12
6.1.2 Removal and installation under process pressure.....	12
6.1.3 Grounding.....	13
6.2 Use in hazardous areas.....	13
6.3 Ambient conditions	13
6.4 Medium temperature and pressure.....	14
6.4.1 Direct mounted transmitter.....	14
6.4.2 Remote mounted transmitter.....	14
7 DIMENSIONS/WEIGHT	15
7.1 PIT-UMF2 dimensional drawing for remote transmitter	15
7.2 PIT-** dimensional drawing with direct mounted transmitter UMF2.....	16
8 POWER SUPPLY / ELECTRICAL CONNECTION	17
9 SAFETY INFORMATION	17
9.1 Intended use.....	17
9.2 Installation, start-up and operating personnel.....	17

10	OPTIONS.....	18
10.1	Removal and installation under process pressure	18
10.2	PIT (Sensor) Ingress protection IP68	18
10.2.1	Wiring diagram for remote installation	19
11	RETURNING THE METER.....	20
11.1	Declaration of Decontamination	21
12	DECLARATION OF CONFORMITY	22

Introduction

I. Shipping and storage; product inspection

Shipping and storage

The device is to be safeguarded against dampness, contamination (especially the inside of the flow meter), impact and damage. Open the packaging with caution to prevent unintentional damage.

Adhere to the temperature limits during storage.

Product inspection

Upon receipt of the product, check the contents of the box and the product particulars against the information on the delivery slip and order form so as to ensure that all ordered components have been supplied. Notify us of any shipping damage immediately upon receipt of the product. Any damage claim received at a later time will not be honoured.

II. Warranty

Your flowmeter was manufactured in accordance with the highest quality standards and was thoroughly tested prior to shipment. However, in the event any problem arises with your device, we will be happy to resolve the problem for you as quickly as possible under the terms of the warranty, which can be found in the terms and conditions of delivery. Your warranty will only be honoured if the device was installed and operated in accordance with the instructions for your device. Any mounting, commissioning and/or maintenance work is to be carried out by qualified and authorized technicians only.

III. Maintenance, Repair and Hazardous substances

When used in the intended manner no special maintenance is required. However, the flowmeter should be checked within the context of routine maintenance of the facility and the pipelines. Should a repair, calibration or maintenance become necessary, be sure to clean the device thoroughly and follow the steps in section 11 "Returning the Meter". before returning the device to Heinrichs Messtechnik.

The operator is liable for any substance removal or personal damage costs arising from inadequate cleaning of a device sent for repair.

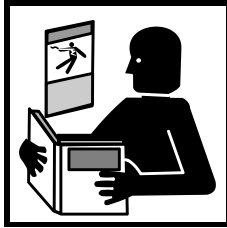
IV. Disposal

Observe the regulations applicable to disposal in the country of installation!

V. Supplementary operating instructions

Supplement operating manuals are available for special features, interfaces and operations relating to your device, request your copy from our service department.

1 Steps prior to operation



It is essential that you read these operating instructions before installing and operating the device. The device is to be installed and serviced by a qualified technician only. The UMF2B transmitter is to be used exclusively to measure volume flow or flow velocity, in conjunction with a Heinrichs Messtechnik EPS, PIT or PITE sensor.

Downloading of the present document from our web site www.heinrichs.eu and printing out this document is allowed only for the purposes of using our flowmeters. All rights reserved. No instructions, wiring diagrams, and/or supplied software, or any portion thereof, may be produced, stored, in a retrieval system or transmitted by any means, electronic, mechanical, photocopying or otherwise, without the prior written permission of Heinrichs Messtechnik GmbH.

Although the materials in the present document were prepared with extreme care, errors cannot be ruled out. Hence, neither the company, the programmer nor the author can be held legally or otherwise responsible for any erroneous information and/or any loss or damage arising from the use of the information enclosed.


Heinrichs Messtechnik GmbH extends no express or implied warranty concerning the applicability of the present document for any purpose other than that described.

We plan to optimize and improve the products described and in so doing will incorporate not only our own ideas but also, and in particular, any suggestions for improvement made by our customers. If you feel that there is any way in which our products could be improved, please send your suggestions to the following address:

Company:

Heinrichs Messtechnik GmbH
 HM-EE (R&D Department)
 Robert-Perthel-Strasse 9
 D-50739 Cologne
 Germany

or:

 via fax : +49 (221) 49708-178

 via email: info@heinrichs.eu



Note:

We reserve the right to change the technical data in this manual in the light of any technical progress that might be made.

For updates regarding this product, visit our website at www.heinrichs.eu, where you will also find contact information for the Heinrichs Messtechnik distributor nearest you. For information regarding our own sales operations, contact us at info@heinrichs.eu.

2 Identification

Hersteller: Heinrichs Messtechnik GmbH
Robert-Perthel-Strasse 9
D-50739 Köln
Deutschland



Fon: +49 221 49708-0
Fax: +49 221 49708-178



Internet: www.heinrichs.eu
E-Mail: info@heinrichs.eu

Produkttyp: Magnetic – inductive flow sensor based upon Faraday's law of induction

Produktname: Sensortyp: PIT
Umformertyp: UMF2B

Dateiname: pit-umf2b_ba_21.01_en.doc

Version: 21.01, Datum, February 3, 2021

3 Application

The magnetic-inductive flow velocity sensor PIT-UMF2 is used to measure or monitor the volume flow of liquids with and without solids concentration, slurries, pastes and other electrically conductive media while minimizing pressure drops. The medium must possess a conductivity of at least 20 $\mu\text{S}/\text{cm}$.

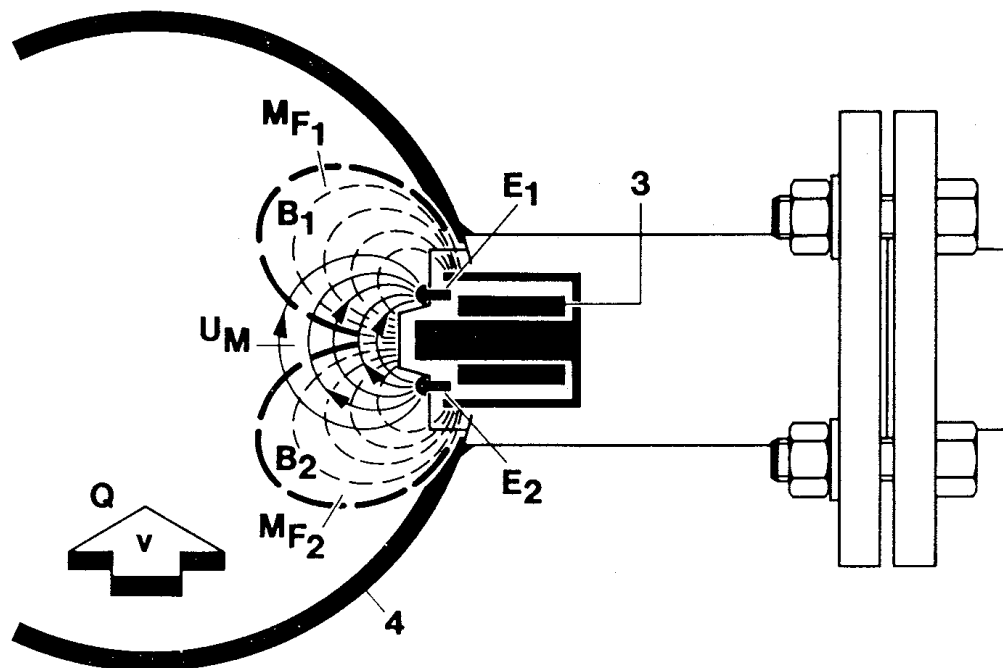
Pressure, temperature, density and viscosity do not affect the volume measurements. Smaller portions of solid particles and small gas bubbles are also measured as part of the volume flow. A larger number of solid particles or gas bubbles will lead to failures. Special electrodes are available for media that tend to form greasy films or crusts.

4 Mode of Operation and System Design

4.1 Mode of operation

It was back in 1832 that Faraday suggested utilizing the principle of electromagnetic induction for measuring flow velocities. His experiments in the Thames, though unsuccessful due to superimposed polarization effects, are nonetheless regarded as the first ones in the field of magnetic-inductive flow measurement.

According to Faraday's law of electromagnetic induction, an electrical field E is produced in a conductive liquid moving through a magnetic field B at a velocity v in accordance with the vector product $E = [v \times B]$. A liquid at flow velocity v and a flow rate Q flows through a meter tube (4), producing a measuring-circuit voltage U_M at the two electrodes (E_1 and E_2) at right angles to the direction of flow and the magnetic field B generated by the field coils (3). The size of this measuring-circuit voltage is proportional to the mean flow velocity and thus the volume flow rate.



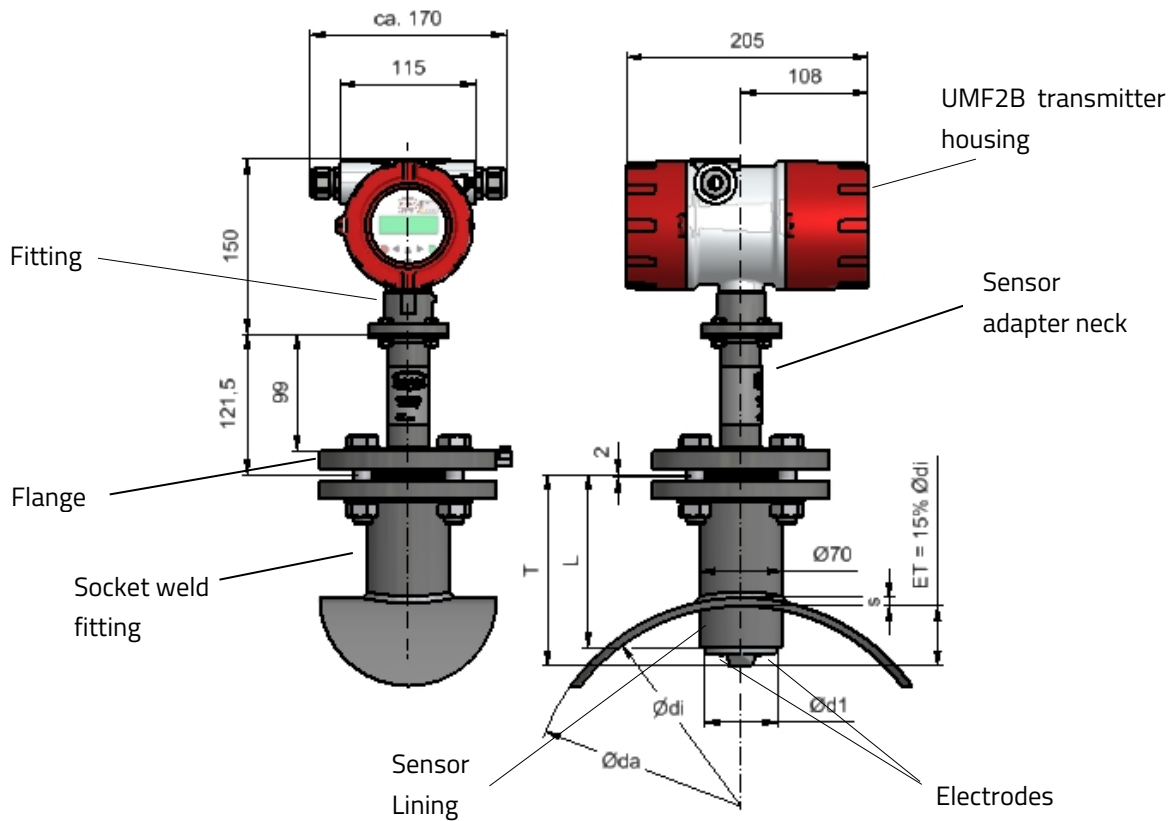
4.2 System design

The magnetic-inductive PIT-UMF2 flow measurement system consists of a sensor (PIT), which picks up an induced measuring signal from the medium flowing through the pipe, and a transmitter (UMF2), which transforms this signal in standardized output signals (4-20 mA or pulses).

The PIT-*** sensor can be operated with all transmitters for magnetic-inductive flow meters manufactured by Heinrichs Messtechnik. The sensor is installed (inserted) into the pipe while the transmitter is mounted directly on top of the sensor or separate remote, depending on the equipment design.

4.2.1 Transmitter mounted on the sensor

This type of construction ensures easy and trouble-free installation

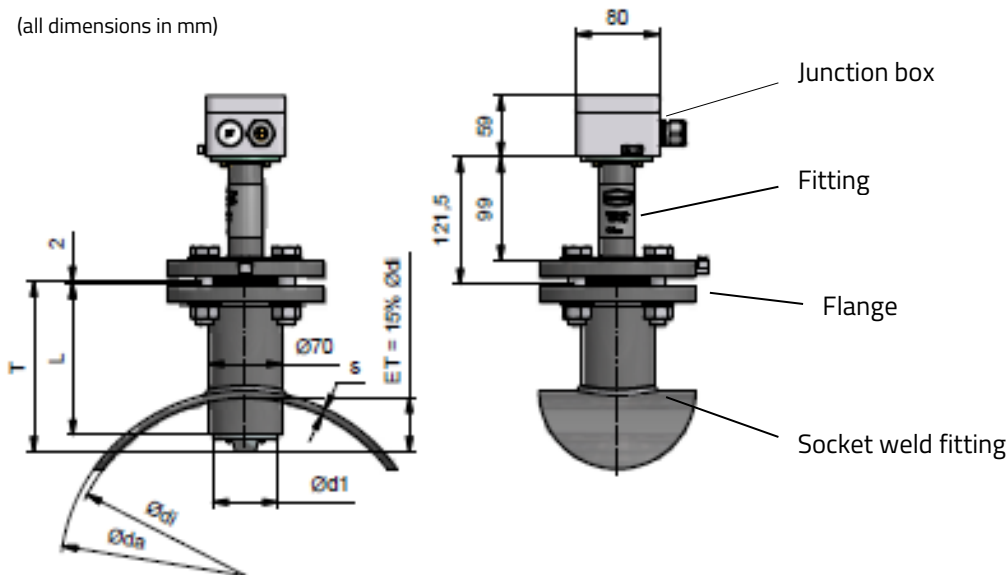


4.2.2 Remote installation of the transmitter

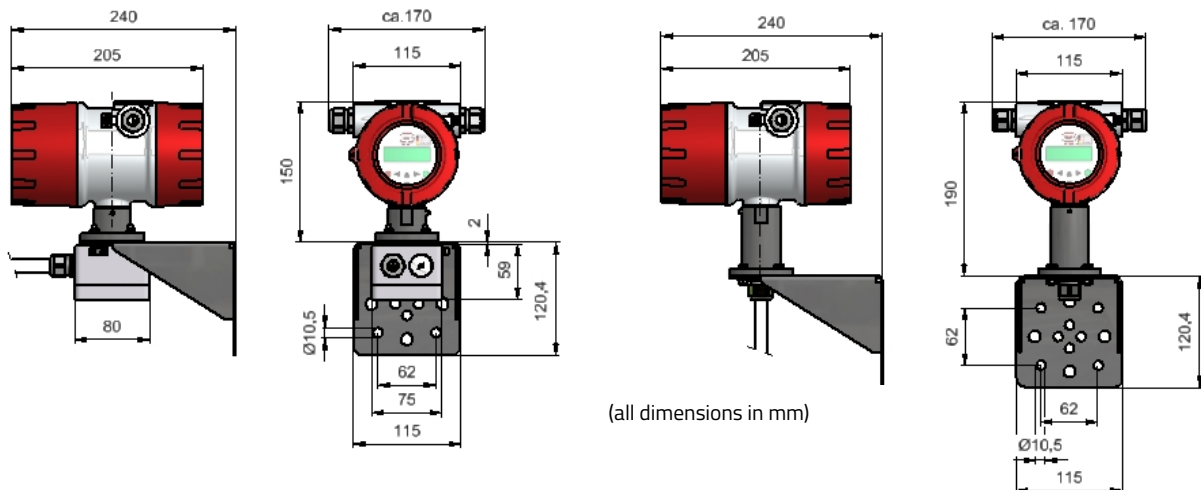
Heinrichs Messtechnik recommends this type of installation when there is little space or the medium temperatures are high. The sensor and the transmitter are connected by a field coil and an electrode cable. The electrode cable must be shielded and protected against disturbing interferences.

4.2.2.1 Sensor installation

(all dimensions in mm)



4.2.2.2 Transmitter mounting



Remote transmitter with terminal connection box, (For cable length longer than 10 m)

Remote transmitter with direct connected cable to transmitter, (For cable length of max. 10 m)

4.2.3 Sensor versions

- PIT-S** Wetted parts stainless steel / hastelloy / PTFE,
Transmitter neck connection flange stainless steel
- PIT-A** Wetted parts PFA / hastelloy,
Transmitter neck connection flange stainless steel
- PIT-U** Version with retraction device

5 Characteristics

Accuracy

$\pm 1.5\%$ of measured value plus $\pm 0.5\%$ of URV

Conductivity of fluid

$\geq 20 \mu\text{S}/\text{cm}$

Influence of ambient temperature

Pulse output $\pm 0,05\%$ pro 10K

Current output $\pm 0,1\%$ pro 10K

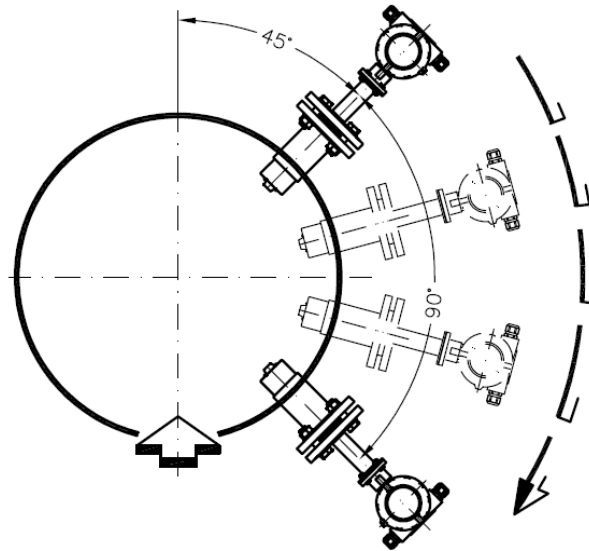
Influence of medium temperature

None

6 Conditions of use

6.1 Installation conditions

Disturbing elements (e.g. shut-off and control valves) are to be arranged downstream from the sensor. If this is not possible, flow conditioners must be installed so that no vortices can reach the pipe section of the sensor. The mounting location in the pipe system should be selected so that the sensor is continually filled with the medium. This requirement can be met by using drains and check valves.



In order to stay within the indicated accuracy, the installation must be performed according to EN 29104 "Measurement of Fluid Flow in Closed Conduits – Methods of Evaluating the Performance of Magnetic-Inductive Flow meters." Based on this standard, the minimum straight run of pipe ahead of the inlet must be 10 pipe diameters (**> 10 x DN**) and 5 pipe diameters following the outlet (**> 5 x DN**) [DN = nominal diameter of pipe].

In order to prevent serious measuring errors when the pipe is partially filled or when there are gas bubbles or sediment deposits, the mounting position described above should be chosen.

The limits for the product and ambient temperature must be met at the mounting location. Corrosive atmospheres must be avoided. Please also take into account the space requirement for a possible removal of the device.

6.1.1 Immersion depth of PIT-*** in the pipe

In order to suppress the influence of the flow profile as much as possible, the depth of immersion of the sensor head in the pipe must be **15 % of the inside diameter of the pipe**.

The socket weld fitting must not cover the top of the sensor head and must be shortened if necessary.

6.1.2 Removal and installation under process pressure

For easy removal and installation under pressure, a special retraction device is available. When using this device, the sensor head must not be damaged by closing the valve.

For details, see the Additional Operating Instructions for Removal and Installation the meter under process pressure Additional Operating Instructions PIT-Druck_BA_0X_eng.doc (see also Section 14 "Options").

6.1.3 Grounding

For safety reasons and to ensure faultless operation of the magnetic-inductive flow meter, earthing of the flow sensor is important. In accordance with VDE 0100, Part 540, the earthing connections must be connected to the grounding conductor.

To avoid false measurement, the ground potential must be identical to the ground potential of the medium.

When using insulated and lined pipes or plastic pipes, the metrological grounding of the medium for PIT-S (SS) is carried out via the wetted part of the sensor head.

All wetted parts of PIT-A (PFA) are coated with PFA. Therefore it is not possible to ground the medium via the housing parts. In this case make sure that the PIT-A sensor will be supplied an earthing. If the sensor does not have an earthing electrode ensure that a suitable earthing disc will be used.

6.2 Use in hazardous areas

The flow meters PIT-.../UMF2 are not intended for use in hazardous areas.

6.3 Ambient conditions

Ambient temperature ranges

-20°C to +60°C, below 0°C the readability of the LCD is limited

Storage temperature

-25°C to +60°C

Climatic category

- In accordance with IEC 654-1
- Not weather-protected **Class D locations** exposed directly to open-air climate

Ingress Protection

PIT standard sensor: IP65, option: IP68 / UMF2(b) standard housing IP68 (NEMA 6P)



Caution:

Ingress protection IP68 is only achieved if suitable and tightly screwed down cable glands or conduits are used. If the cable glands are only tightened manually water may leak into the terminal compartment in the housing.



Warning:

Particular care must be taken if the window in the housing becomes fogged over or discolored because moisture, water or product might seep through the wire sheath into the terminal compartment in the housing!



Caution:

Electromagnetic compatibility is only achieved if the electronics housing is closed. Leaving the enclosure open can lead to electromagnetic disturbances.

Shock resistance/vibration resistance

The meter should be protected from extreme shocks and vibrations, which could cause damage.

6.4 Medium temperature and pressure

6.4.1 Direct mounted transmitter

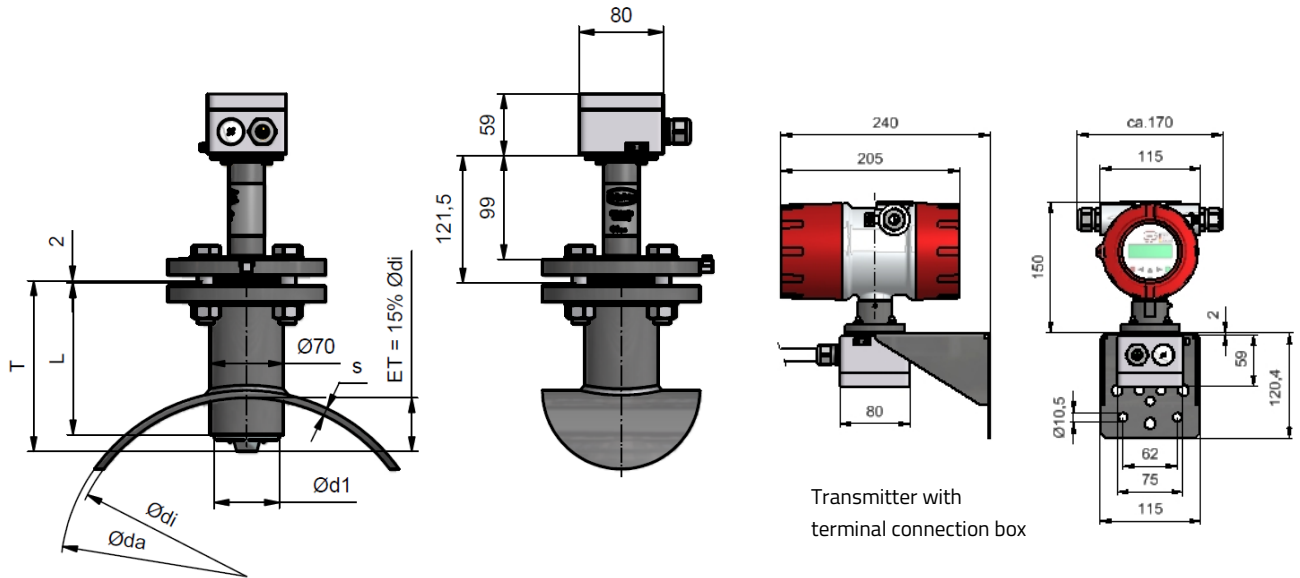
Version	Medium temperature	Pressure
PIT-S (SS / PTFE)	-20°C to 80°C	16 bar
PIT-A (PFA)	-20°C to 80°C	40 bar

6.4.2 Remote mounted transmitter

Version	Medium temperature	Pressure
PIT-S (SS / PTFE)	-40°C to 100°C	16 bar
PIT-A (PFA) standard	-40°C to 140°C	40 bar

7 Dimensions/weight

7.1 PIT-UMF2 dimensional drawing for remote transmitter



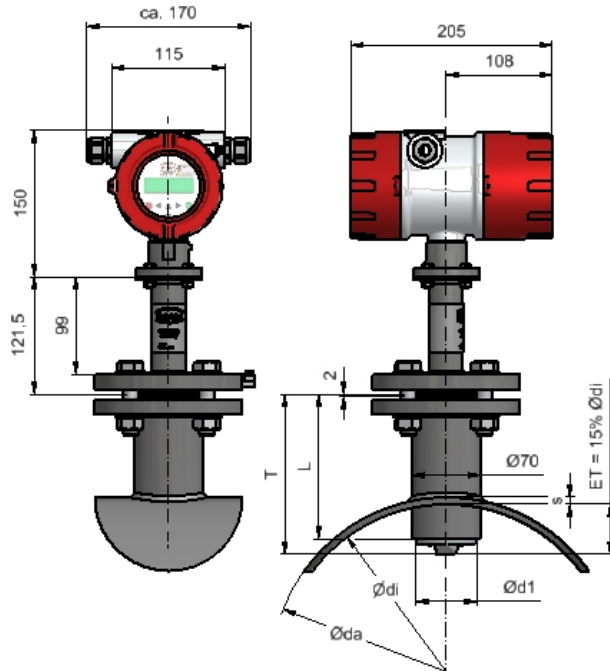
(all dimensions in mm)

Weight: 3, 6 kg

- DN: Nominal Diameter
- T: Length of sensor
- Ød: Diameter of sensor
- L Length of socket weld fitting
- ET: Immersion depth in % of pipe diameter

Version	DN	T	Ød1	L
PIT-A (PFA)	150-600	163mm	62mm	145mm
PIT-S (SS / PTFE))	150-600	163mm	60,3mm	145mm
PIT-S (SS / PTFE))	700-1200	263mm	60,3mm	170mm
PIT-S (SS / PTFE))	1400-2000	363mm	60,3mm	170mm

7.2 PIT- dimensional drawing with direct mounted transmitter UMF2**



(all dimensions in mm)

Weight: 5,5 kg

DN: Nominal Diameter
T: Length of sensor
Ød: Diameter of sensor
L Length of socket weld fitting

Version	DN	T	Ød1	L
PIT-A (PFA)	150-600	163mm	62mm	145mm
PIT-S (SS / PTFE)	150-600	163mm	60,3mm	145mm
PIT-S (SS / PTFE)	700-1200	263mm	60,3mm	170mm
PIT-S (SS / PTFE)	1400-2000	363mm	60,3mm	170mm

8 Power supply / electrical connection

See name plate or Operating Instructions of the corresponding transmitter.

9 Safety information

9.1 Intended use

The PIT-UMF2 flow meter may be used only for flow measurements of fluids whose conductivity exceeds $20\mu\text{S}/\text{cm}$. The manufacturer shall not be liable for damages that may result from unintended or inappropriate use.

When dealing with an aggressive medium, clarify the material durability of all wetted parts.

9.2 Installation, start-up and operating personnel

Only trained specialists authorized by the system operator may carry out the installation, electrical installations, start-up maintenance and operation. They must read and understand the operating manual and follow its instructions. Basically, the national conditions and provisions must be followed.

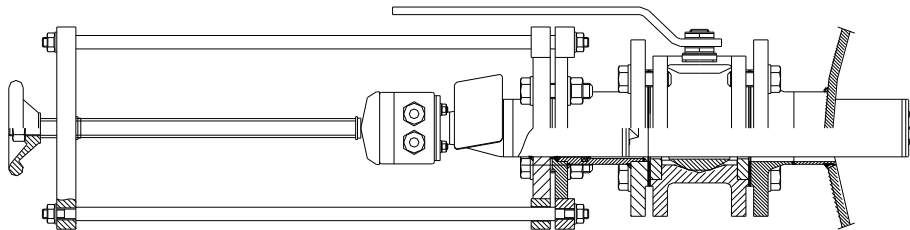
Grundsätzlich sind die in Ihrem Land geltenden Bestimmungen und Vorschriften zu beachten.

10 Options

10.1 Removal and installation under process pressure

In some cases it might be necessary to remove and reinstall the PIT sensor head for cleaning when the pipe is under process pressure. A special retraction device can be used for this purpose.

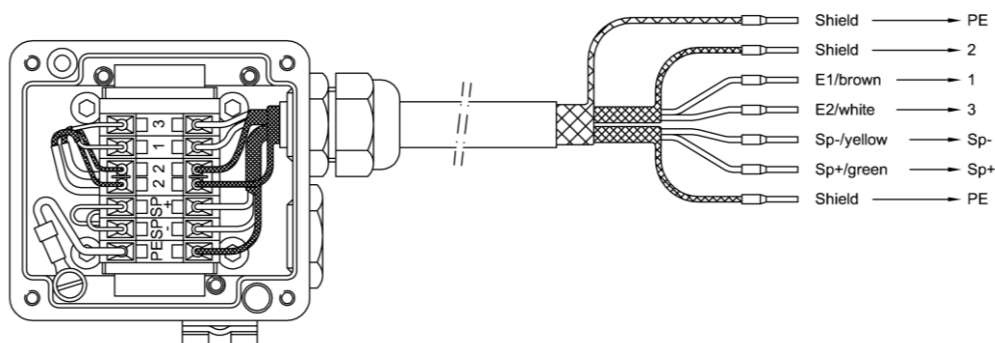
When using this device, it is important to ensure that the sensor head will not be damaged by closing the valve. For a detailed description of this process, see the Additional Operating Instructions (PIT-Druck_BA_03_eng) for removal and installation the meter under process pressure (Section 5.1.2).



10.2 PIT (Sensor) Ingress protection IP68

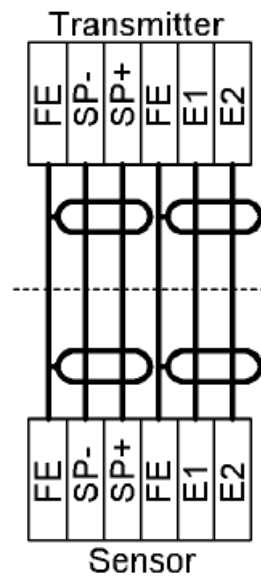
A special version of PIT is available with the IP 68 degree of protection. This version is equipped with a special terminal box, special cable glands and a special cable. The length of the cable must be specified when placing the order. The terminal box does not need to be opened during the installation. If this should be necessary, the cover must be remounted carefully. This is the only way to ensure the IP 68 degree of protection.

- The standard immersion depth is **5 m**. (Material of terminal box: Aluminum)
- optional immersion depth up to **25 m** with filling of the terminal box with special "sealing Compound GHB 1" and with factory connected cable at the sensor terminal conn., box.. (Option) (Material of terminal box: Aluminum)
- IP 68 version - seawater resistant: material of terminal box: PE glass-fibre reinforced , black 57x75x110 mm (Option)



10.2.1 Wiring diagram for remote installation

The outer shield has to be connected to the metalized cable glands at both ends. The inner shields are connected to each other and are plugged into the terminal with the label "Schirm / shield".



Warning:

Do not connect or disconnect the field coil cable before the mains power of the transmitter has been disconnected!.

For more details on wiring refer to UMF2B Instruction Manual

11 Returning the Meter

If all attempts to return the device to an operational condition have failed, contact our service department to arrange the return of your device for repair.

Before sending the device back for repair or servicing, please ensure the following steps have been performed:

- Always enclose a fully completed declaration of decontamination. You will find a template in section 11.1
- Ensure all medium residues have been removed, be sure to clean the seal grooves and recesses thoroughly.
- Provide a description of the encountered problem, providing as much information as possible as well as a contact person for following correspondence.
- Inform us of any special handling requirements you or your processes may have.

11.1 Declaration of Decontamination

Company name: Address:

Department: Contact person:

Phone:

The enclosed Coriolis flow meter Model:

was operated using the following fluid:

In as much as this fluid is water-hazardous / toxic / corrosive / combustible / a health hazard / environmentally hazardous

we have performed the following steps:

- Checked all cavities in the device to ensure that they are free of fluid residues*
- Washed and neutralized all cavities in the device*
- Cleaned all seals/gaskets and other components that came into contact with the measured medium*
- Cleaned the housings and all surfaces*

*tick applicable items

We hereby warrant that no health or environmental hazard will arise from any fluid residues on or in the enclosed device.

Date:

Signature:
(Name printed)

Company Stamp

12 Declaration of Conformity

CE Konformitätserklärung Declaration of Conformity



Nº. 20-4149-01

Hersteller:
Manufacturer: Heinrichs Messtechnik GmbH
Robert-Perthel-Strasse 9
50739 Köln

Produktbeschreibung:
Product description: **Magnetisch Induktiver Durchflussmessgerät UMF2 (b) für Verwendung mit der Sensorreihe EP, EPS, PIT* and PITe**
Magnetic inductive flowmeter UMF2 (b) for use with the sensor series EP, EPS, PIT* and PITe


Hiermit erklären wir, in alleiniger Verantwortung, dass das oben genannte Messsystem den Anforderungen der folgenden EU-Richtlinien, einschließlich allen bis heute veröffentlichten Änderungen bzw. Nachträgen entspricht:

We declare herewith, in sole responsibility, that the product described above is conform with the provisions of the following EU-directives, including all published changes and amendments as of today:

2014/30/EU (EMC)	EU-Richtlinie über die Elektromagnetische Verträglichkeit <i>EU-Directive relating to electromagnetic compatibility</i>
2014/35/EU (LVD)	EU-Richtlinie über die Bereitstellung elektrischer Betriebsmittel zur Verwendung innerhalb bestimmter Spannungsgrenzen auf dem Markt <i>EU-Directive relating to the making available on the market of electrical equipment designed for use within certain voltage limits</i>
2014/68/EU (PED)	EU-Richtlinie zur Harmonisierung der Rechtsvorschriften der Mitgliedstaaten über die Bereitstellung von Druckgeräten auf dem Markt <i>EU-Directive on the harmonisation of the laws of the Member States relating to the making available on the market of pressure equipment</i>

Anhang N ist ein integraler Bestandteil dieser Erklärung
Annex N is an integral part of this declaration

Köln, den 01.04.2020



Michael Manderfeld
(Druckgerätebeauftragter /
PED Representative)



Guido Thometzki
(Geschäftsführung / Managing Director)

Kontakt: Tel: +49 (221) 49708-0
Contact: Email: info@heinrichs.eu
Web: www.heinrichs.eu

CE Anhang N zur Konformitätserklärung
Annex N of the Declaration of Conformity



Nº. 20-4149-01

Produktbeschreibung: **Magnetisch Induktiver Durchflussmessgerät UMF2 (b) für Verwendung mit der Sensorreihe EP, EPS, PIT* and PITe**
 Product description: **Magnetic inductive flowmeter UMF2 (b) for use with the sensor series EP, EPS, PIT* and PITe**

Die Konformität mit den auf Seite 1 genannten Richtlinien diese Erklärung wird nachgewiesen durch die Einhaltung folgenden Normen (abhängig von Gerätvariant):
 Conformity to the Directives referred to on Page 1 of this Declaration is assured through the application of the following standards (depending on version of device):

Richtlinie Directive	Norm –Ref. Nr. Standard / Ref. Nº.	Ausgabe Edition	angewandte Konformitätsbewertungs- verfahren / applied conformity assessment procedures	UMF2 (b)	EP	EPS	PIT*	PITe*
	DIN EN -							
2014/30/EU	61000-6-2	2011-06	Immunity Industry	X	X	X	X	X
	61000-6-3	2012-11	Emission residential	X	X	X	X	X
	61000-4-2	2009-12	Immunity ESD	X				
	61000-4-4	2013-04	Immunity fast transients / Burst	X				
	61000-4-5	2015-03	Surge voltage immunity	X				
	61000-4-6	2014-08	Immunity conducted disturbances	X				
	61000-4-8	2011-07	Immunity to magnetic fields	X				
	61000-4-11	2005-02	Voltage variations	X				
	61000-4-29	2001-04	DC Voltage variations	X				
	55011	2011-04	Radio frequency disturbance	X	X	X	X	X
61326-1	2011-07	EMC requirements	X	X	X	X	X	
2014/35/EU	61010	2011-07	Safety requirements	X				
2014/68/EU	EN 13480, ASME B31.3 AD 2000-Merkblätter	Module H			X			
		Module B (E) + D				X		

X: Zutreffende Norm / Applicable Standard

Name und Anschrift der Notifizierte Stelle / Name and Address of the Notified Body

TÜV-SÜD Industrie Service GmbH
 Westendstraße 199
 D-80686 München
 ID-Nr. / ID-Nº.: RL 2014/68/EU: 0036

Heinrichs Messtechnik GmbH
 Robert-Perthel-Straße 9
 50739 Köln
 Telefon 0221/49708-0
 Telefax 0221/49708-178
 http://www.heinrichs.eu
 info@heinrichs.eu

Bankverbindung
 Dresdner Bank Köln
 BLZ 370 800 40
 Konto-Nr. 0955 051300
 IBAN :
 DE58 3708 0040 0955 0513 00
 SWIFT-BIC: DRES DE FF 370

Erfüllungsort und Gerichtsstand:
 Köln
 Amtsgericht Köln HRA 37040
 Ust.IDNr.: DE813416533
 Steuer-Nr.: 217/5743/0386

Geschäftsführer
 Dipl. Ing. (FH) Guido
 Thometzki