



Accessories



measuring
•
monitoring
•
analysing

AZA, AZP, AZR, AZT, AZM



- Immersion assemblies
- Flow assemblies
- Process assembly
- Buffer solutions for pH and ORP
- Calibration solutions for conductivity
- Temperature sensors
- Wall mounting sets for field housing
- Pipe mounting set for field housing

A1

KOBOLD companies worldwide:

AUSTRALIA, AUSTRIA, BELGIUM, BULGARIA, CANADA, CHINA, CZECHIA, EGYPT, FRANCE, GERMANY, GREAT BRITAIN, HUNGARY, INDIA, INDONESIA, ITALY, MALAYSIA, MEXICO, NETHERLANDS, PERU, POLAND, REPUBLIC OF KOREA, ROMANIA, SPAIN, SWITZERLAND, THAILAND, TUNISIA, TURKEY, USA, VIETNAM

KOBOLD Messring GmbH
Nordring 22-24
D-65719 Hofheim/Ts.
Head Office:
+49(0)6192 299-0
+49(0)6192 23398
info.de@kobold.com
www.kobold.com

Immersion, Flow and Process Assemblies

Immersion and flow assemblies serve for the mounting and protection of measuring sensors (glass and metal electrodes conductivity measuring cells, compensating thermometers and so on).

Immersion assemblies not only enable measurements on the surface of the medium being analysed, but also deep in the liquid with a suitable bulb length.

The connection head of the measuring sensor remains "dry" Flow through fittings enable direct measurements in feed pipelines for the medium being analysed or in the bypass for these lines.

The measuring sensor responds instantaneously to changes in the medium thus minimizing dead times in the plant.

The assemblies can be secured to suit the application with fixing elements, such as, retaining brackets, flanges or other clamping fixtures in or at the vessel.

The process assembly allows installation and removal of the sensor online, that is the cycle or main flow must not be interrupted for maintenance work. This assembly is recommended for use in all closed circuits or vessels.

The assemblies must be easily accessible to enable regular maintenance and calibration of the electrodes.

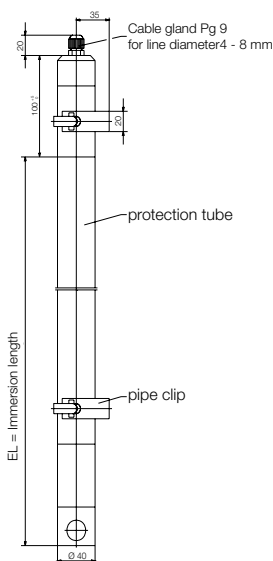


**Immersion assembly for a glass electrode conduit
thread Pg 13.5
(Model AZA-Z3)**

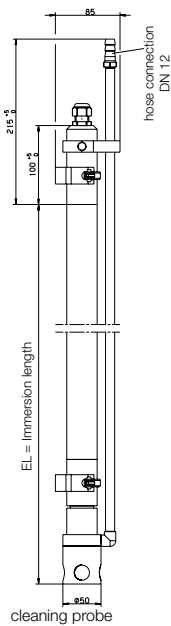


Material: PP (Polypropylene)
 Pipe cross-section: 40 mm
 Length of immersion: 500 mm / 1000 mm / 1500 mm
 Allowed medium temp.: 95 °C
 Equipotential bonding pin: stainless steel 1.4571
 Mounting: surface mounting with pipe clamps
 Weight: approx. 0.6 kg (for 500 mm)

**Dimensions
Model AZA-Z3**



Model AZA-Z3...C

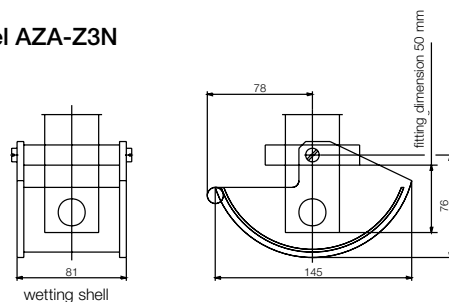


Model	Immersion length (EL)	Option
AZA-Z3	none = 500 mm	none = without option
	T = 1000 mm	C = cleaning probe
	F = 1500 mm	

Wetting shell model AZA-Z3N

For use with installation in open channels for maintaining the electrodes permanently wet.

Model AZA-Z3N



Flow assembly for three glass electrodes conduit thread Pg 13.5 (Model AZA-Z5)



Housing material:	PP (Polypropylene)
Measuring vessel:	Makrolon®
Connection:	G ½
Operating pressure and temperature:	pressureless to 90 °C 6 bar at 25 °C
Equipotential bonding pin:	stainless steel 1.4571
Weight:	0.4 kg

Process assembly for one glass electrode conduit thread Pg 13.5 (Model AZA-Z6)



Material:	stainless steel 1.4571
Sealing material:	FPM
Connection:	G ¾ A
Immersion length:	62 mm (sensor extended)
Max. pressure:	10 bar (20 °C)
Max. temperature:	135 °C
Equipotential bonding pin:	stainless steel 1.4571
Weight:	0.8 kg

Calibration and buffer solutions



Technical pH buffer solutions model AZP-W

For calibrating pH electrodes.

Volume: 100 ml, 1000 ml

pH 4 (red) ± 0.02 pH (at 20 °C)

pH 7 (green) ± 0.02 pH (at 20 °C)

pH 9 (blue) ± 0.02 pH (at 20 °C)

Potassium chloride solution (3-molar)

For refilling the internal electrolyte for liquid-filled pH combined electrodes and for storing the electrodes.

Volume: 100 ml, 1000 ml

KCl solution (3 mol/l) ± 0.05 mol/l

Technical ORP buffer solutions model AZR-W

For calibrating the ORP electrodes.

Volume: 250 ml

220 mV ± 5 mV (at 25 °C)

468 mV ± 5 mV (at 25 °C)

Order Details pH-buffer solutions

Model/version	Volume	pH-value/solution
AZP-W	1 = 100 ml	A = pH 4.0 B = pH 7.0
	2 = 1000 ml	C = pH 9.0 D = KCl solution

Order Details ORP buffer solutions

Model/version	Volume	ORP value
AZR-W	3 = 250 ml	A = 220 mV, pH 7.0 (25 °C)
		B = 468 mV, pH 0.1 (25 °C)

Temperature sensors

Temperature sensors in the form of a pH electrode model AZT-Z (compact line)



The temperature sensor model AZT-Z is used for temperature compensation, when the measuring sensors for pH value or conductivity have no built-in temperature sensor. It should be used with the transmitters from the compact line APM-Z for pH value, ARM-Z for ORP and ACM-Z for conductivity. Coaxial cable APK-Z5K can be used for connection to the transmitter.

Measuring element:	Pt 100
Range:	-10...+135 °C
Length of body:	120 mm
Diameter of body:	12 mm
Connection head:	conduit thread Pg 13.5
Pressure rating:	up to 10 bar



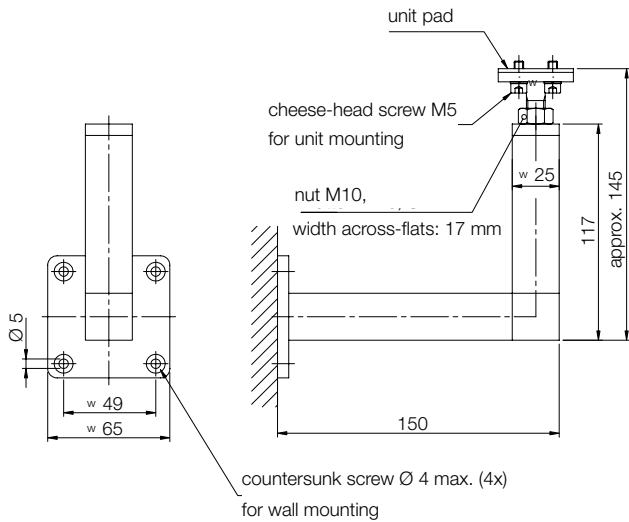
Wall and Pipe Mounting Brackets

Wall and Pipe Mounting Brackets for the pH-, ORP- and conductivity transmitters in a field-housing; Model AZM

For the transmitter in a field housing wall mounting set (continuous rotatable) and a pipe mounting set for mounting on 2" pipe are available.

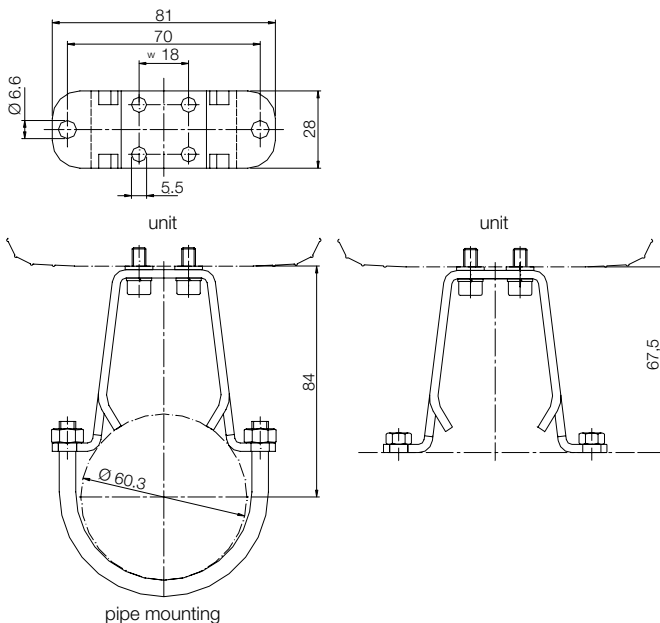
**Bracket for Wall Mounting (360° rotation)
Model AZM-S**

For use with the Compact Line and Expert Line field housing
Material: aluminium, synthetic, stainless steel 1.4301



**Bracket for Pipe Mounting suitable for 2" pipes
Model AZM-R**

For use with the Compact Line and Expert Line field housing
Material: stainless steel 1.4571



Order Details

Model	Options
AZM	S = Wall mounting bracket, 360° rotation R = pipe mounting bracket, 2" pipes